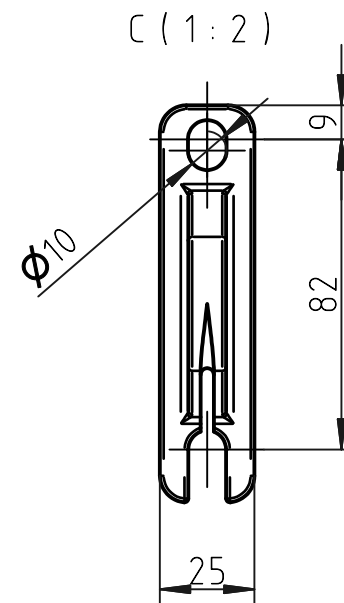
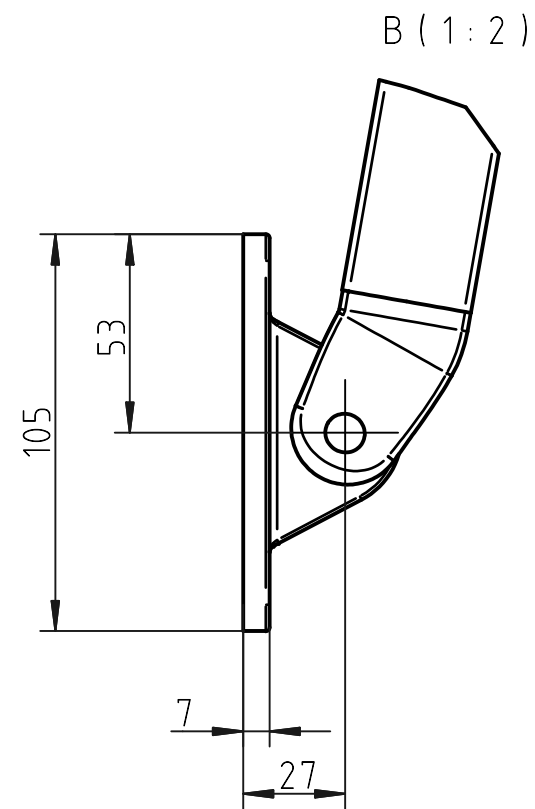
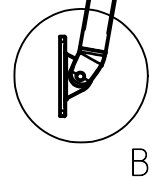
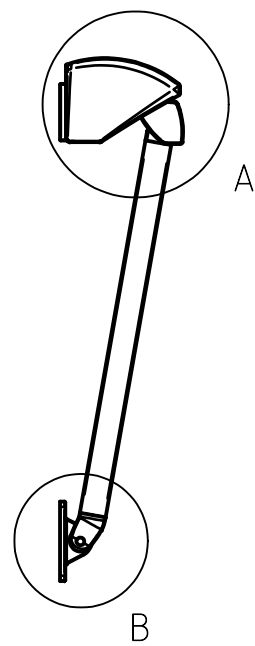
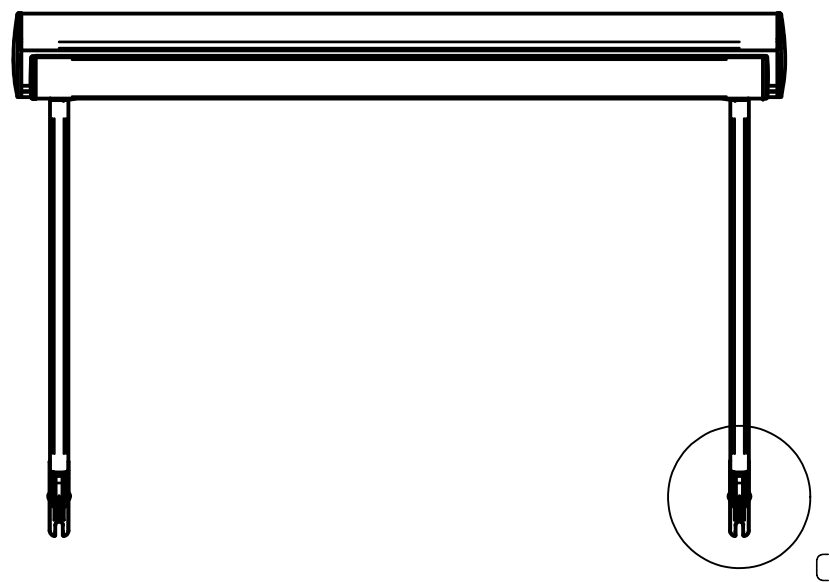
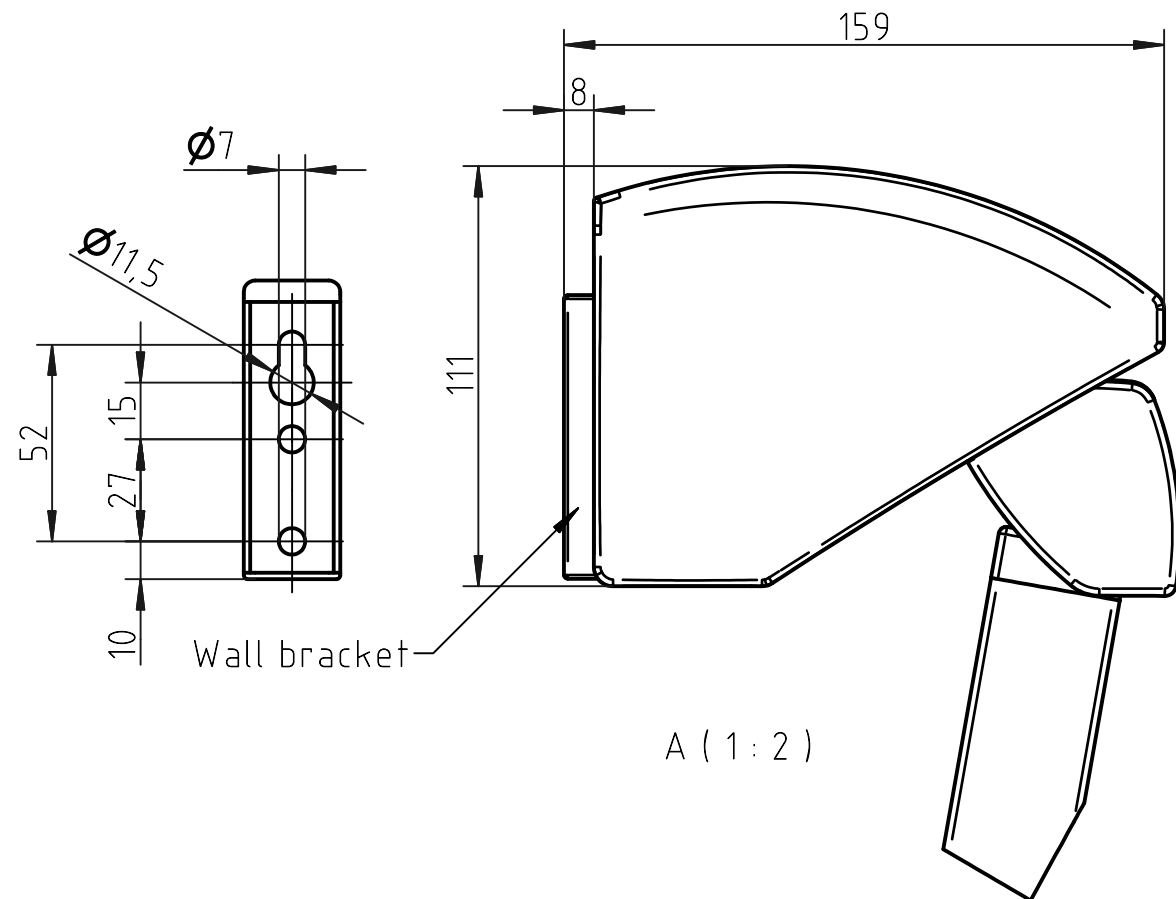
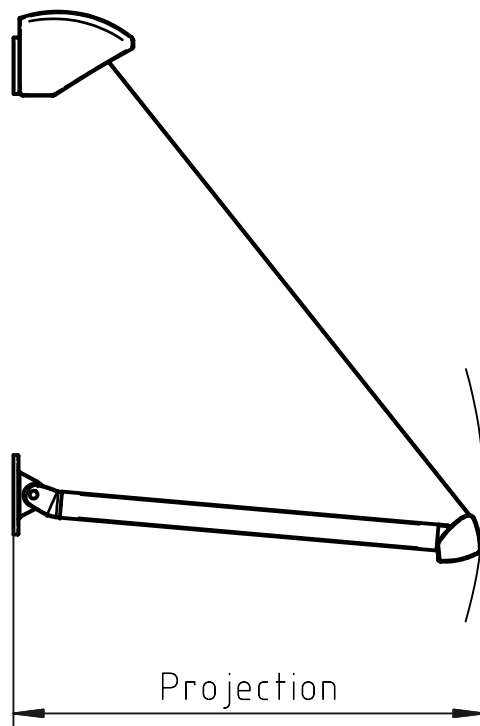
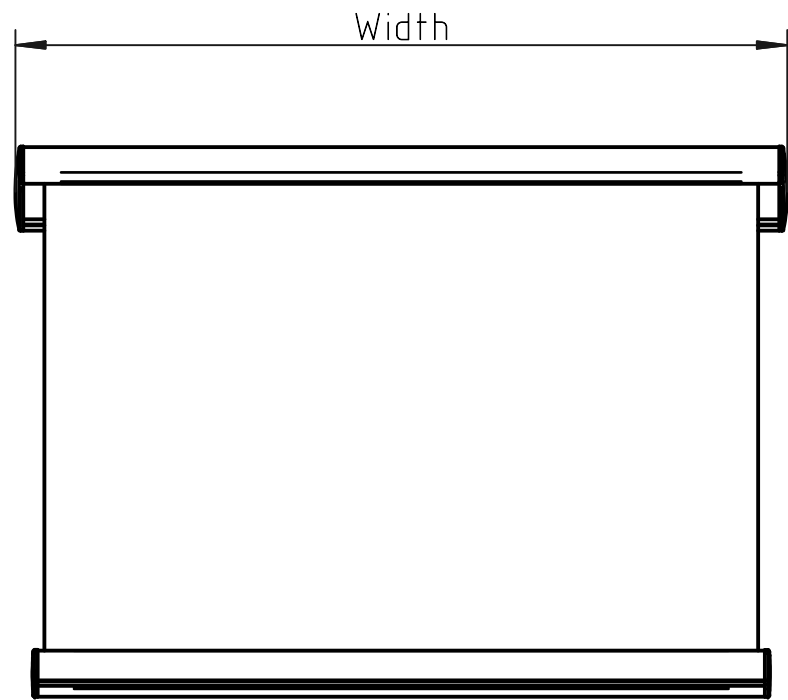


All rights reserved. This drawing is the property of Hunter Douglas Scandinavia AB. The drawing may not be copied or multiplied in any way, neither wholly nor in part. It may not be submitted for perusal, or in any way shared with third parties without the written consent of Hunter Douglas Scandinavia AB.



Designer CS	Drawn CS	Approved	Weight 0,0 kg		Date 2014-05-16	Replaces
<b>Hunter Douglas</b>		Description Drop arm awning			Scale 1:10	Sheet 1 / 1
Hunter Douglas Scandinavia AB		Article number DA45			Drawing number DA45	Rev. 1