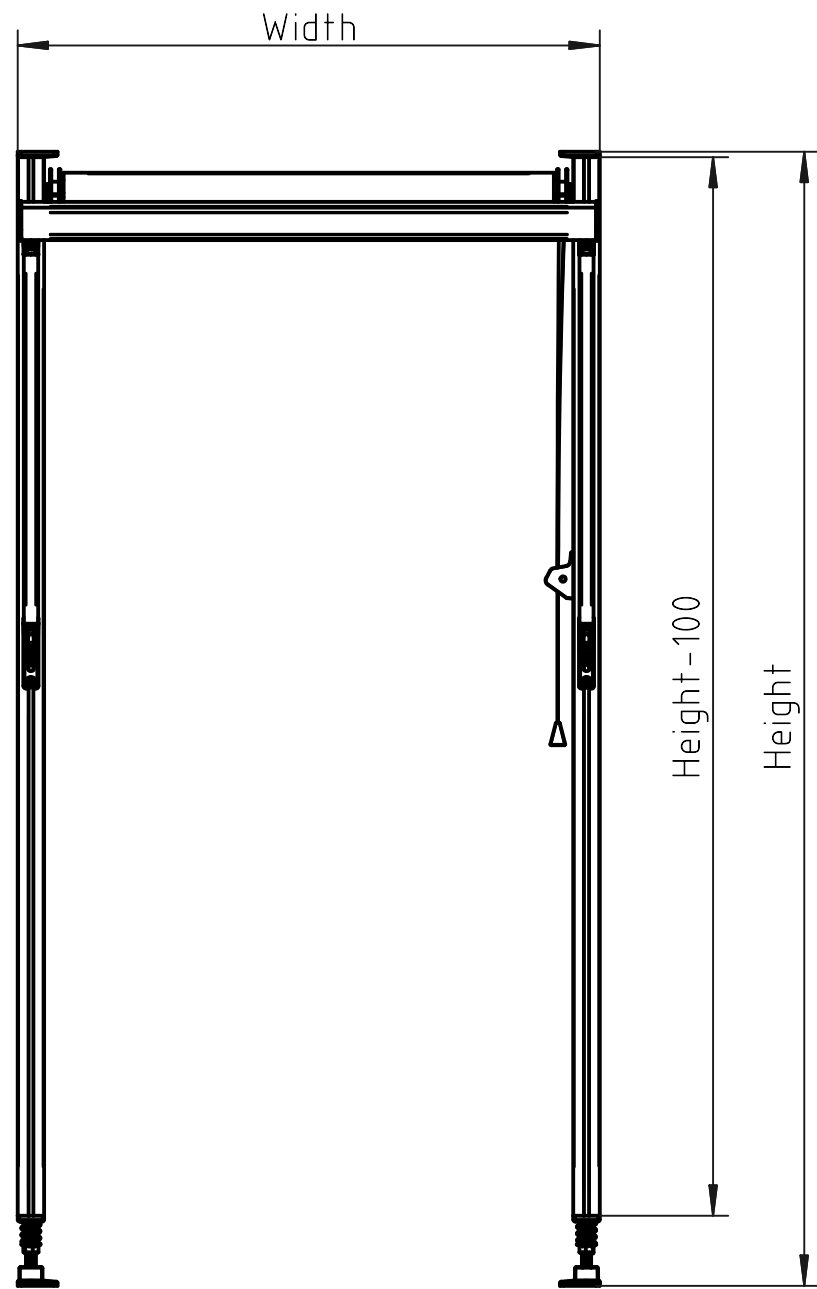
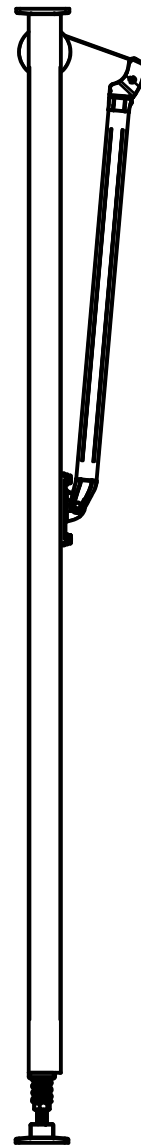


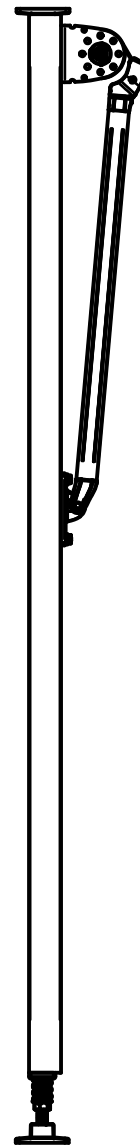
All rights reserved. This drawing is the property of Hunter Douglas Scandinavia AB. The drawing may not be copied or multiplied in any way, neither wholly nor in part. It may not be submitted for perusal, or in any way shared with third parties without the written consent of Hunter Douglas Scandinavia AB.



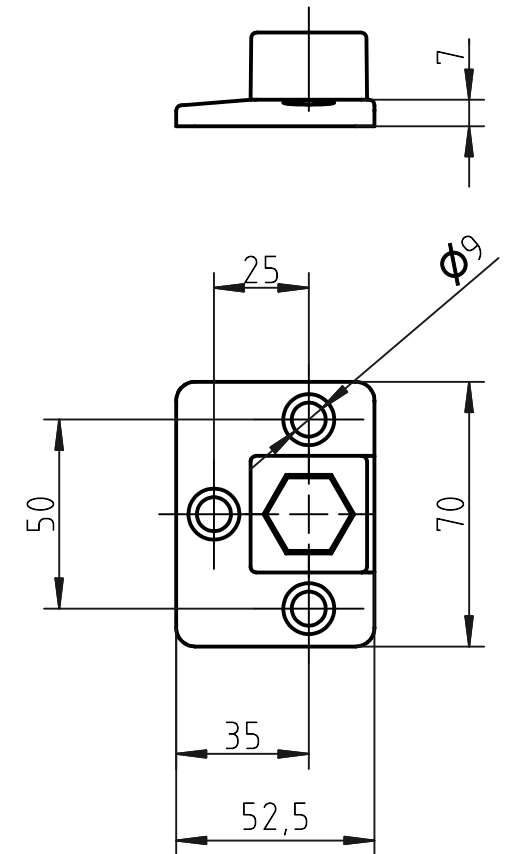
Version "A"

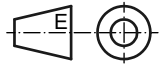



Version "B":
(Alternative build)



Foot plate:
(top/bottom)



Designer CS	Drawn CS	Approved	Weight 0,0 kg		Date 2020-12-09	Replaces
HunterDouglas 		Description Balcony awning			Scale 1 : 10	Sheet 1 / 1
		Article number			Drawing number BC26	Rev. 1
Hunter Douglas Scandinavia AB						