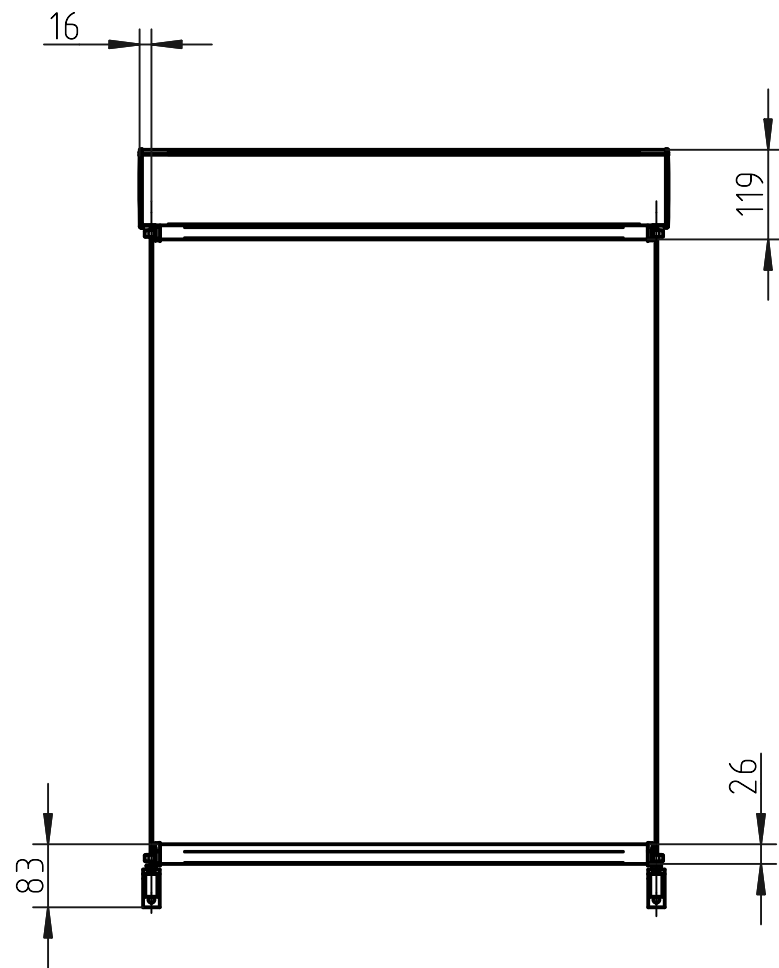
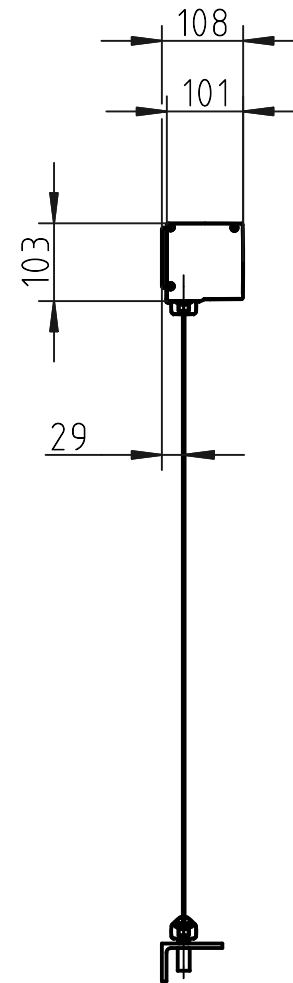
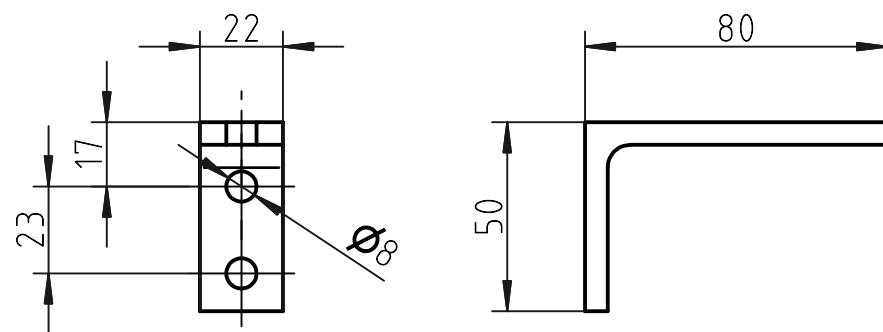


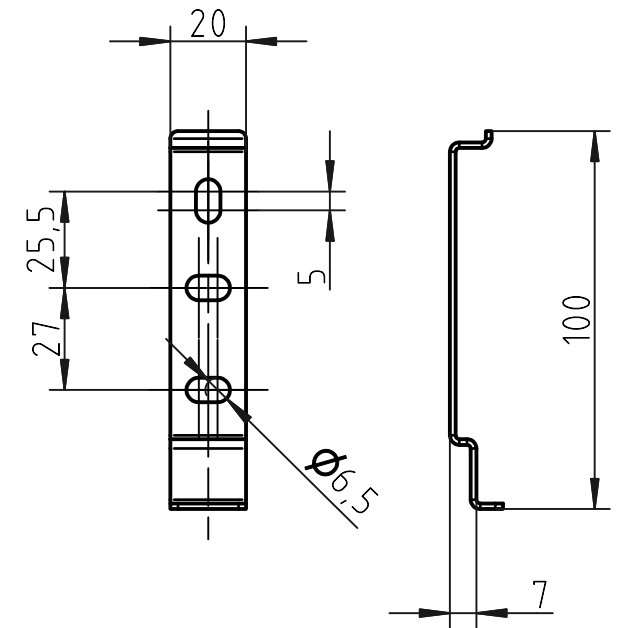
All rights reserved. This drawing is the property of Hunter Douglas Scandinavia AB. The drawing may not be copied or multiplied in any way, neither wholly nor in part. It may not be submitted for perusal, or in any way shared with third parties without the written consent of Hunter Douglas Scandinavia AB.

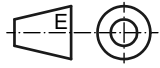



Wire tensioner bracket (1 : 2)



Wall bracket cassette: (1 : 2)



Designer CS	Drawn CS	Approved	Weight 0.0 kg		Date 2019-01-22	Replaces
HunterDouglas 		Description Vertical screen awning			Scale 1:10	Sheet
		Article number Hunter Douglas Scandinavia AB VS100 Square - Wire screen			Drawing number Screen100	Rev. 1