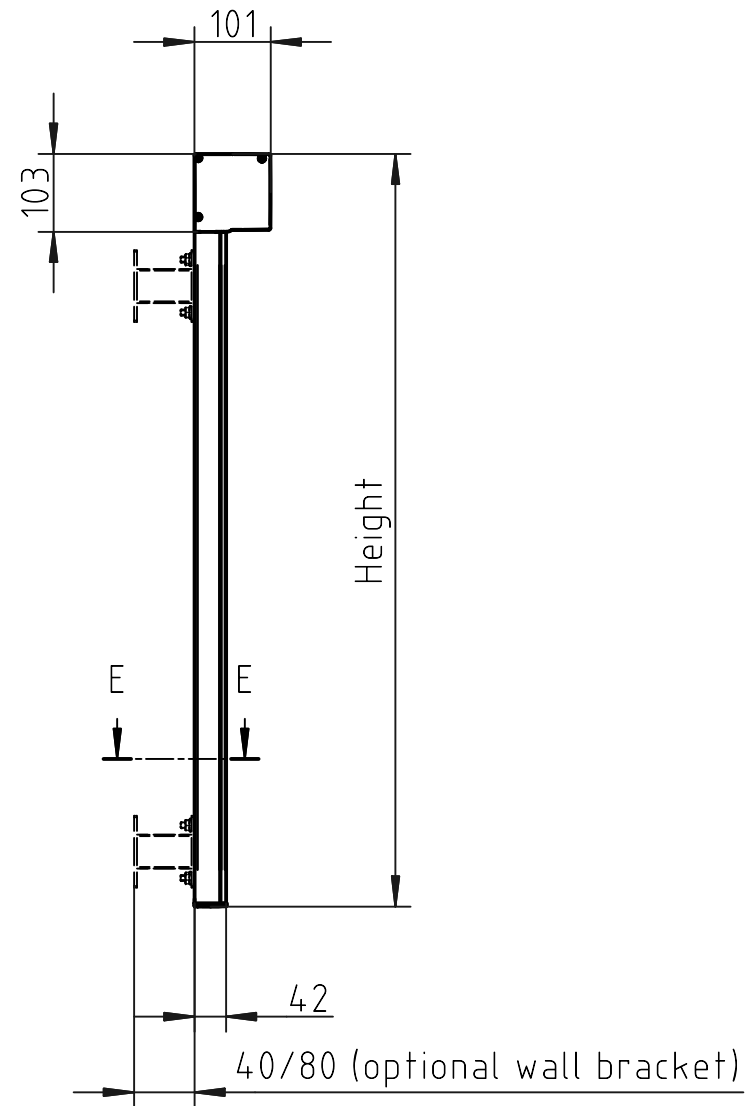
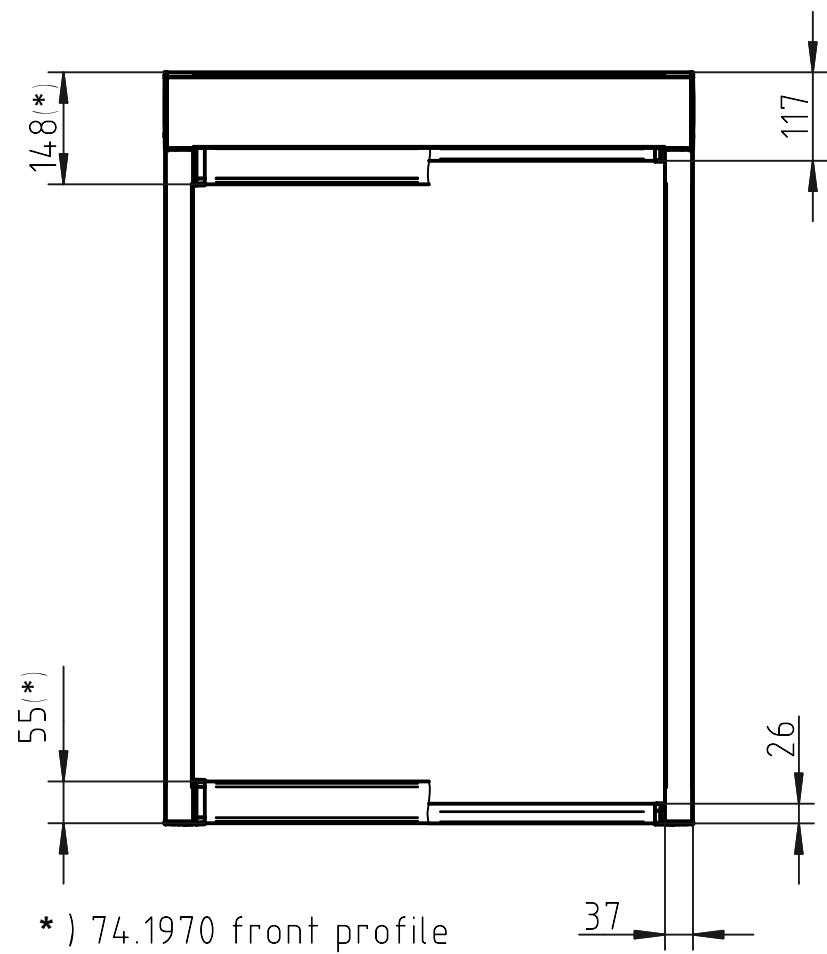
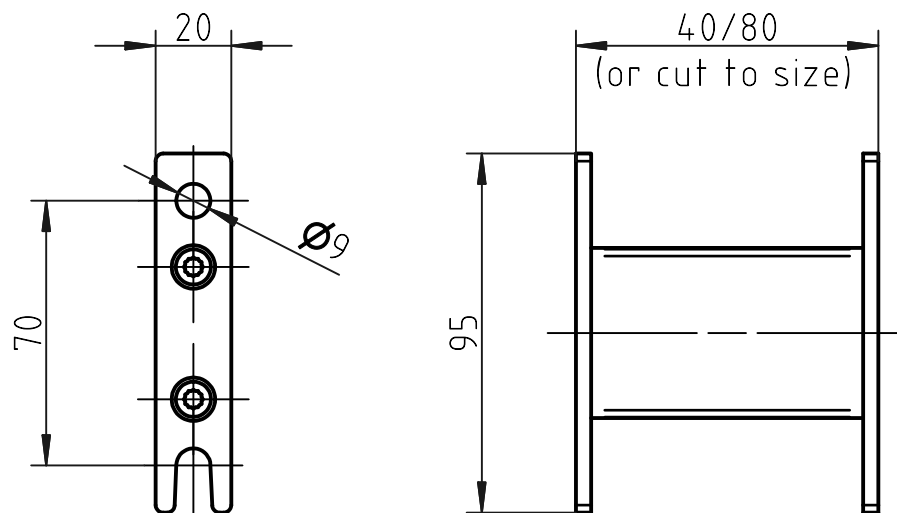


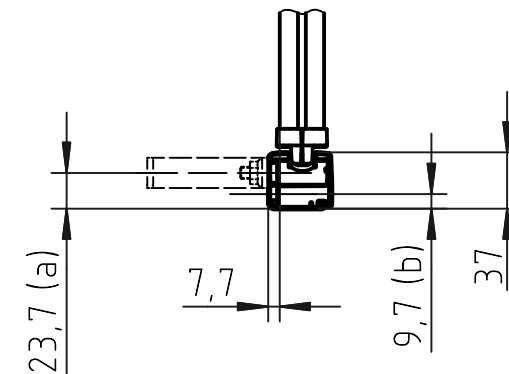
All rights reserved. This drawing is the property of Hunter Douglas Scandinavia AB. The drawing may not be copied or multiplied in any way, neither wholly nor in part. It may not be submitted for perusal, or in any way shared with third parties without the written consent of Hunter Douglas Scandinavia AB.



Wall bracket (optional) (1 : 2)



E-E: (1 : 5)
Wall bracket(a)/screw(b) centre from outer edge of awning.



Side guide rail 74.1470 (snap fit)

Designer CS	Drawn CS	Approved	Weight 0,0 kg		Date 2019-01-22	Replaces
HunterDouglas		Description Vertical screen awning		Scale 1:10		Sheet
Hunter Douglas Scandinavia AB		Article number ZIP100 Square - Zipscreen		Drawing number Screen100		Rev. 1