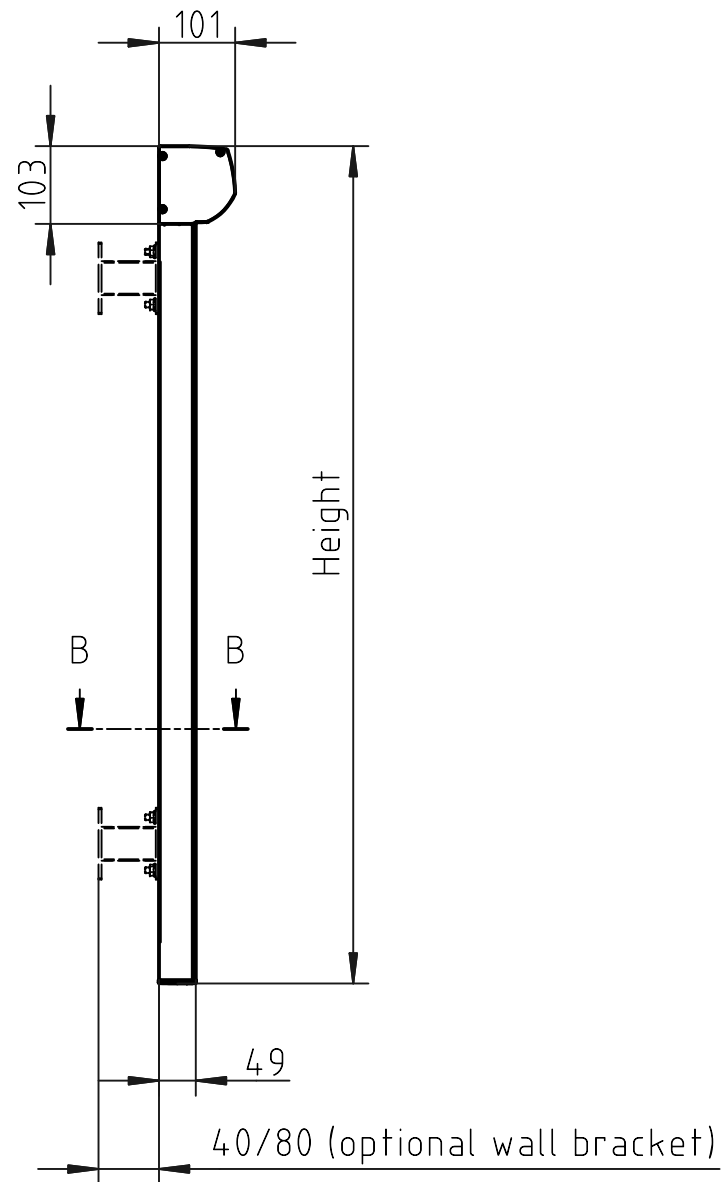
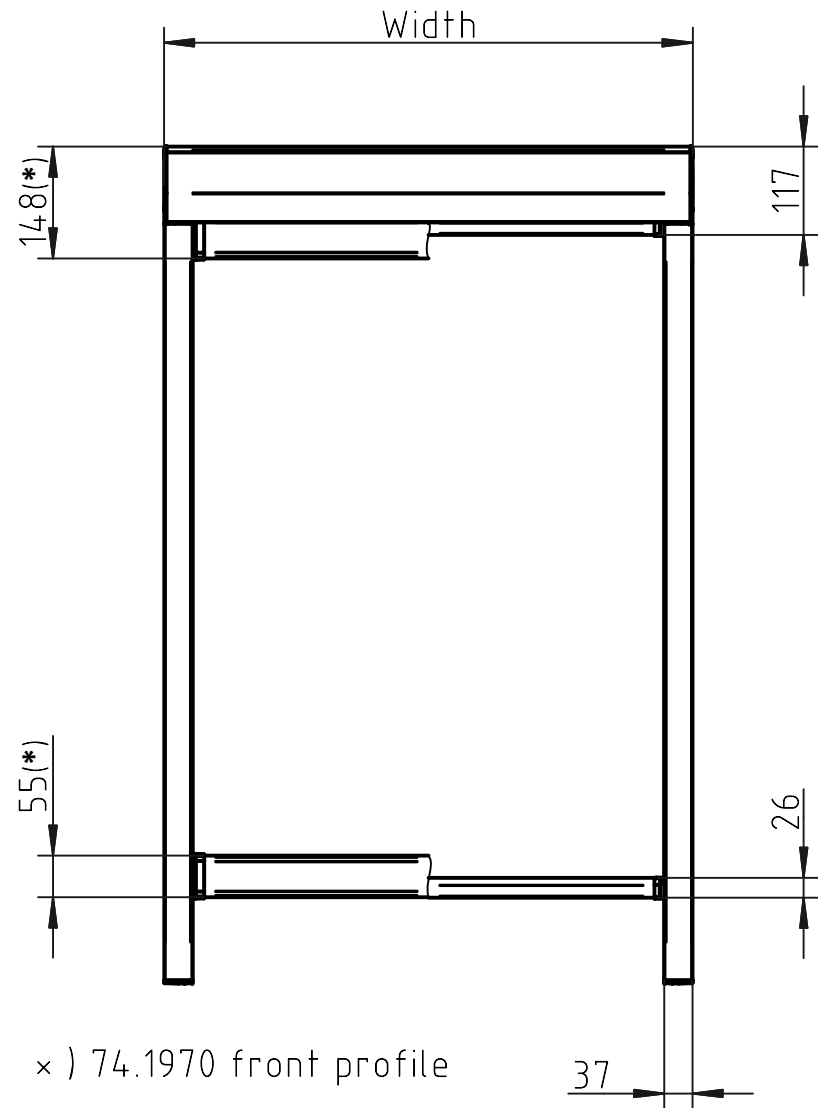
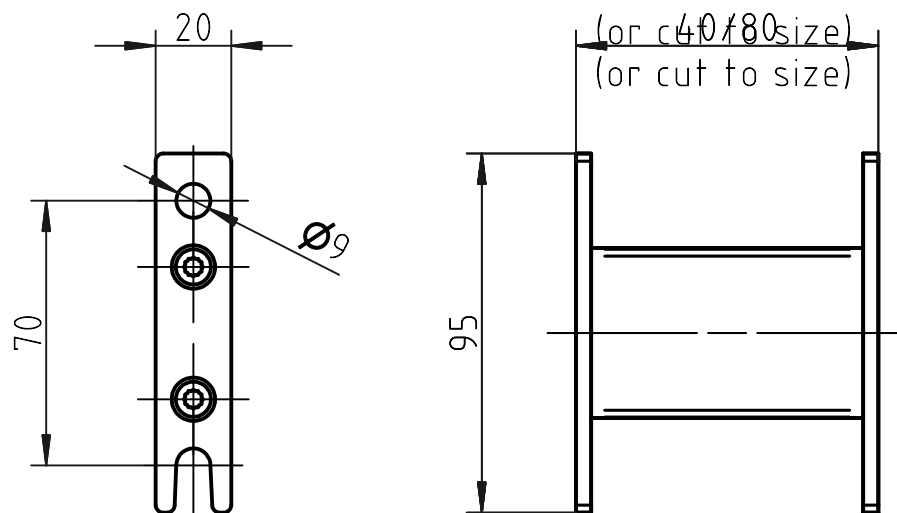


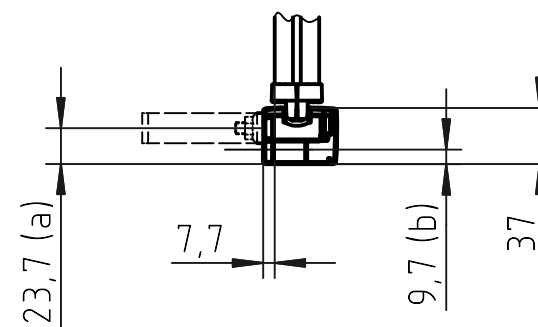
All rights reserved. This drawing is the property of Hunter Douglas Scandinavia AB. The drawing may not be copied or multiplied in any way, neither wholly nor in part. It may not be submitted for perusal, or in any way shared with third parties without the written consent of Hunter Douglas Scandinavia AB.



Wall bracket (optional) (1 : 2)



B-B (1 : 5)
Wall bracket(a)/screw(b) centre from outer edge of awning.



Side guide rail 74.2070 (screw)

| | | | | | | |
|-------------------------------|-------------|---------------------------------------|------------------|-----------------------------|--------------------|----------|
| Designer CS | Drawn CS | Approved | Weight 0.0 kg | | Date 2019-01-22 | Replaces |
| HunterDouglas | | Description Vertical screen awning | | Scale 1:10 | Sheet | |
| Hunter Douglas Scandinavia AB | | Article number ZIP100 - Zipscreen | | Drawing number Screen100 | Rev. 1 | |