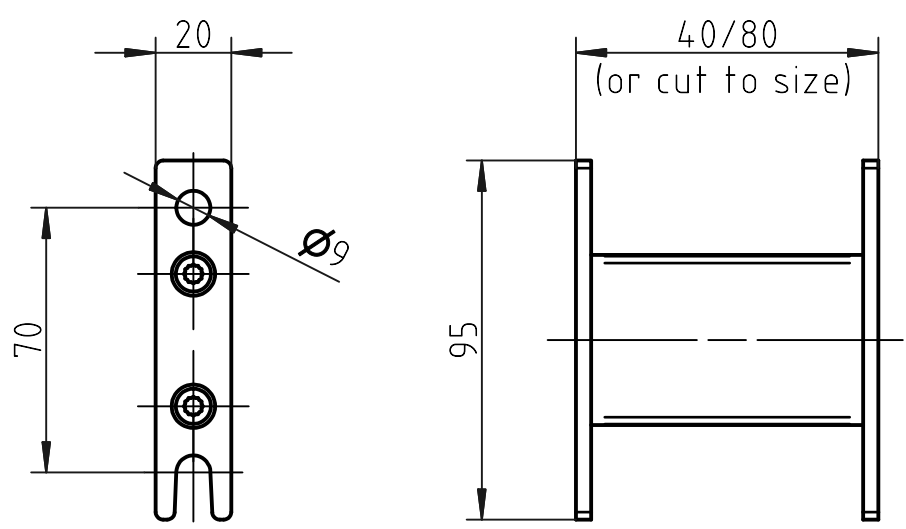
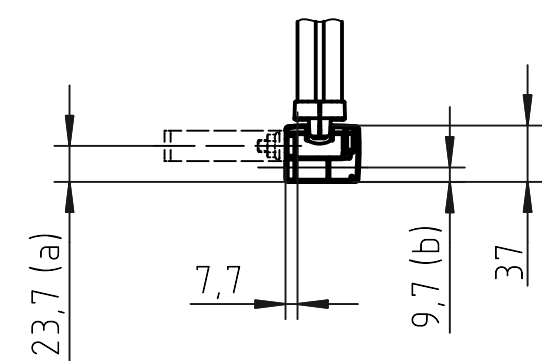


Wall bracket (optional) ( 1 : 2 )



A-A ( 1 : 5 )  
Wall bracket(a)/screw(b) centre  
from outer edge of awning.



All rights reserved. This drawing is the property of Hunter Douglas Scandinavia AB. The drawing may not be copied or multiplied in any way, neither wholly nor in part. It may not be submitted for perusal, or in any way shared with third parties without the written consent of Hunter Douglas Scandinavia AB.

Designer EN	Drawn EN	Approved	Weight		Date 2019-05-23	Replaces
<b>HunterDouglas</b>		Description Vertical screen awning			Scale 1:10	Sheet 1 / 2
Hunter Douglas Scandinavia AB		Article number Zip135 - Zipscreen			Drawing number ZIP135	Rev. 1