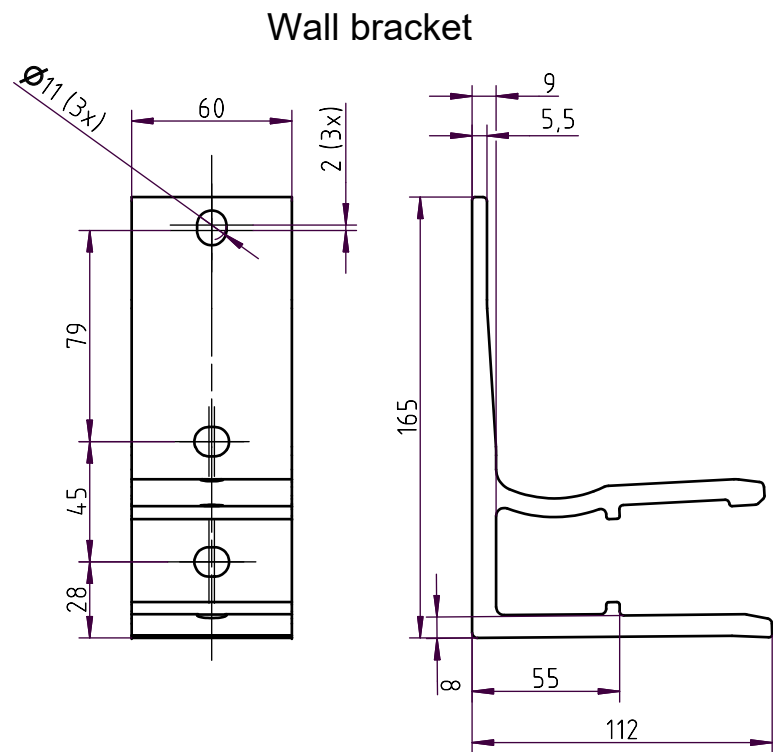
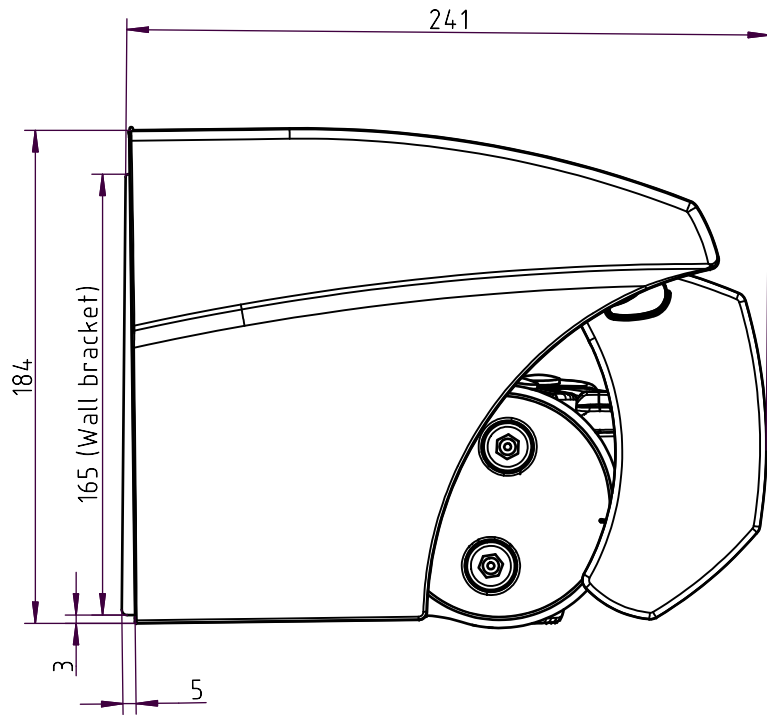


All rights reserved. This drawing is the property of Hunter Douglas Scandinavia AB. The drawing may not be copied or multiplied in any way, neither wholly nor in part. It may not be submitted for perusal, or in any way shared with third parties without the written consent of Hunter Douglas Scandinavia AB.



Designer EN	Drawn EN	Project	Weight 0,0 kg		Date 2023-12-07	Replaces
HunterDouglas		Description			Scale 1 : 2	Sheet
		Article number Hunter Douglas Scandinavia AB			Drawing number FA37-FA38	Rev.