

Terrace awning FA37/FA38



- Ensure that the awning is fixed to a sufficiently secure base.
- Warning for decayed wood, plaster that has crumbled away or brick and thin panel material.
- Check that windows can be opened after mounting the awning.
- The motor and any control equipment must be installed by an authorised electrician.

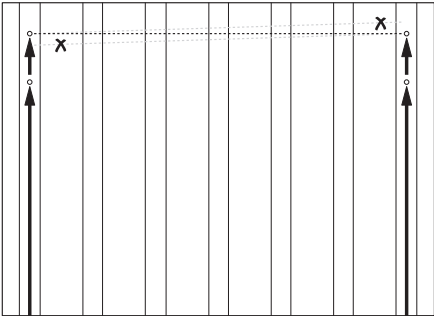
1 Installing the awning

a

Place the awning in front of the installation site and measure out the height for the external brackets. These must sit as close to the arm's attachment on the supporting tube as possible. Mark out and drill holes for these brackets (NOTE! make sure the brackets are horizontally aligned). Mount the brackets using the requisite plugs and screws.

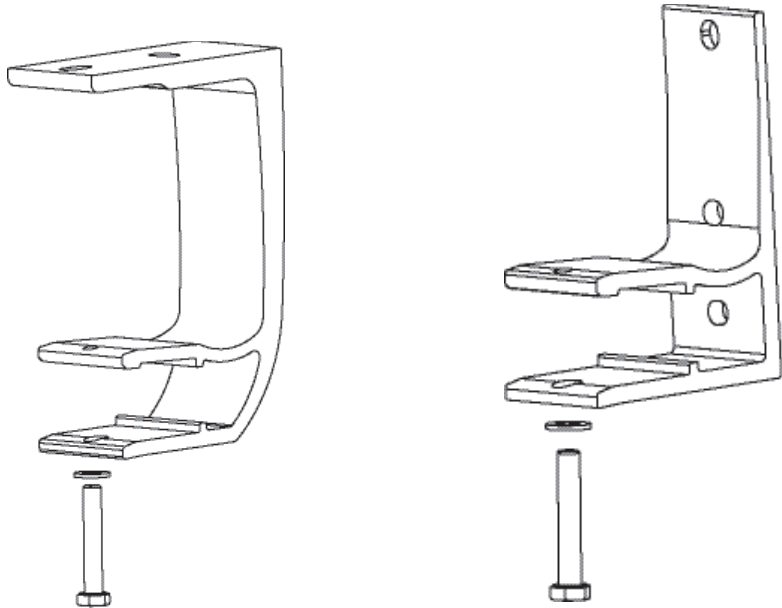
Stretch a piece of string between the outer brackets, mark and drill the holes for the other brackets

Keep in mind to place the brackets at the correct height so that the awning has a ground clearance at the front edge of 2.0 - 2.2 metres.



b

- Place the awning in the brackets.
- Lock using the bracket screws.



## 2 Adjustment of projection angle - Standard

**a** The awning's projection angle is adjusted with the stop screw and the nuts located in the arm holder.

Crank out/roll out the awning.  
Adjust one arm at a time. Loosen the arm bracket screws (1) one to two turns.

When adjusting, lift the arm so that the stop screw (2) is not stressed.

(NOTE! There may be a bang when the arm is lifted and the conical washer loosens.)

Adjust the stop screw (2) so that the arm has the desired height position. The recommended minimum inclination is 10 degrees.

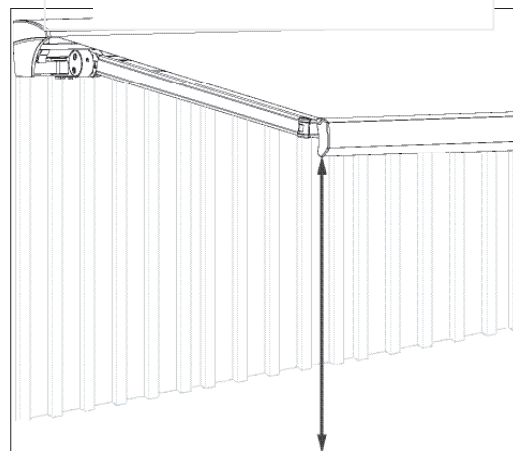
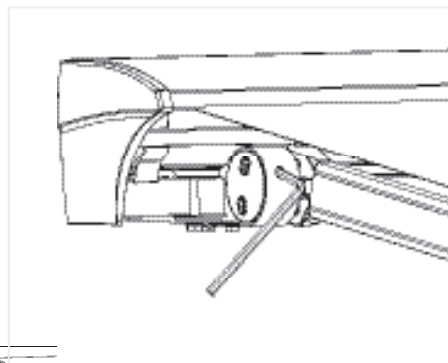
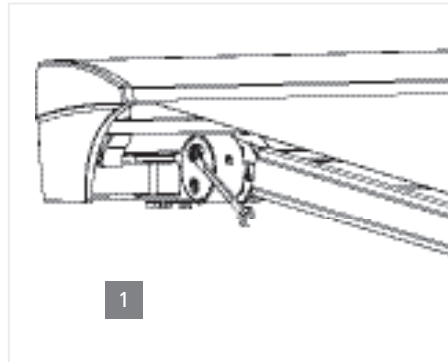
- If the stop screw is screwed in then the arm will be raised. - If the stop screw is screwed out then the arm will be lowered.

Tighten the nuts (1) in the arm bracket slightly. The other arms are adjusted in the same way.

A ground clearance of 2.0 - 2.2 metres at the front edge of the awning is recommended. Roll in the awning.

Tighten the nuts (1) more (min 50Nm) Tighten the screws (1) thoroughly.

**b** Roll out and in the awning several times, check that it looks right and functions correctly.



### 3 Operating and maintenance instructions for awnings

**Cleaning:** The frame and the fabric are subjected to dirt and pollution and should be cleaned at least once a year in order to retain their high finish. This is particularly important in more exposed installations, e.g. environments near the sea. Use a soft cloth, tepid water and a mild cleaner. Do not use a high-pressure washer as it can damage the awning fabric and any electrical equipment, etc. For a detailed description of cleaning the fabric, please refer to its usage instructions.

**Removal of the awning's valance:** The valance is the most exposed part of the awning. To increase the valance's lifespan it can be stored indoors during the winter months. First loosen the front profile's left or right end cover. Then loosen the valance's fabric lock. Move the valance to the side so that it slides out from the front profile. Put back the end cover and store the valance indoors.

**Changing the awning fabric:** Before changing the awning fabric it is recommended to contact the company from which the awning was purchased to arrange an inspection of the frame. This company can provide more information about changing the fabric and also provide advice in case some other component may need to be replaced in order for the awning to maintain its finish and function.

**Warning** - Always allow a professional to adjust the folding arms: An awning has very powerful springs inside the arm's aluminium profiles. If the arm is loosened without first being secured it can cause serious personal injury and in the worst case death. The arms must therefore always be adjusted by a professional.

**Warning** - Always allow a professional to loosen the awning's end cover: The awning's end cover may need to be loosened when changing gears, the motor or the canvas. If the awning's end cover is loosened without all of the awning's arms being secure, the arms can cause serious personal injury and in the worst case death. The awning's end covers must therefore always be loosened by a professional.

**Warning** - Rolling out the awning: When washing windows, painting the facade, or carrying out maintenance or repair of the awning there are risks, e.g. for the ladder tipping over if the awning is rolled out when the work is being carried out. You should therefore keep the awning rolled up when work is being carried out near the sun protection. The automatic mechanisms on motorised awnings must be shut off in order to avoid unintentional operation.

Also make sure that the awning cannot make portable infrared or bottled gas heaters tip over or come into contact with other objects that could damage the awning or cause other injuries.

*The original document may not be changed in terms of content or form without the prior consent of Hunter Douglas Scandinavia*